

Stancor Avenger Series Wastewater

Submersible Stainless Steel Vortex Pumps



SS-100
Freestanding



SS-300
Freestanding

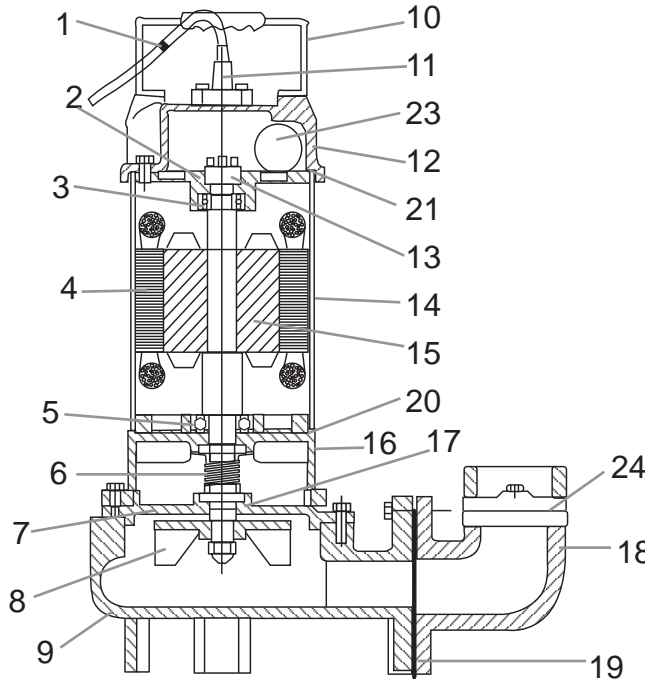


SS-750
with Guide Rail Assembly



Features

- 316 stainless steel motor housing, volute, impeller, and hardware
- Viton® o-rings, elastomers
- 33 foot, PVC jacketed 105° C cable
- Epoxy potted cable entry
- Recessed vortex impeller for reduced wear, unobstructed clearance
- SC/SC mechanical upper and lower seals with Viton® oil seal in separate oil housing chamber
- High efficiency air filled Class F insulated motor
- Built in overload/thermal protection



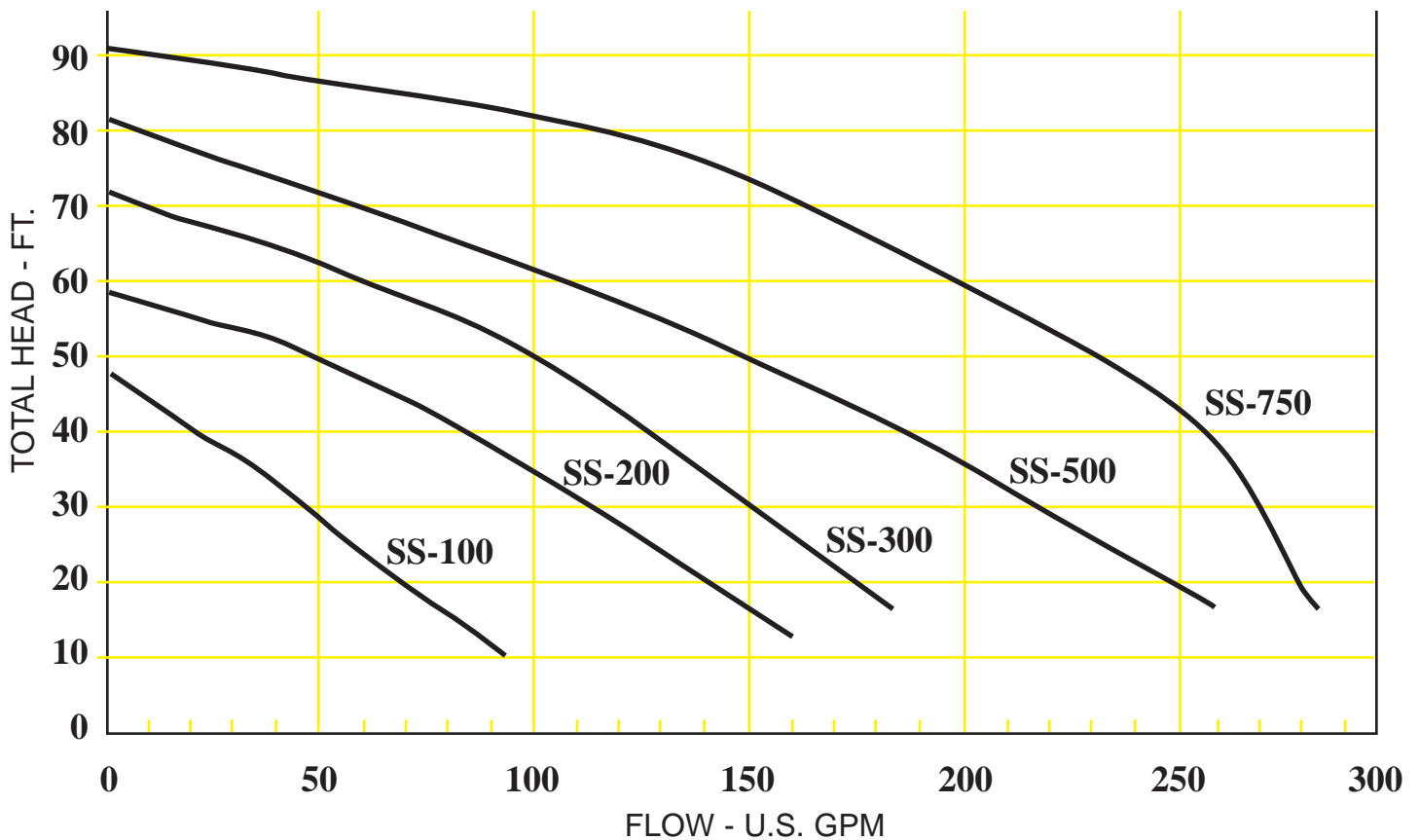
SS Wastewater Series (Typical)

- SS-01 Cable PVC
- SS-02 Upper brg. cover
- SS-03 Upper brg. C-3
- SS-04 Stator
- SS-05 Lower brg. C-3
- SS-06 Mech. seal SIC/SIC
- SS-07 Seal housing 316
- SS-08 Impeller 316
- SS-09 Volute 316
- SS-10 Handle 304
- SS-11 Cable entry Viton
- SS-12 Top cover 316
- SS-13 Motor protector
- SS-14 Motor housing 316
- SS-15 Rotor 410
- SS-16 Oil Chamber hsg. 316
- SS-17 Oil seal Viton
- SS-18 Discharge 316
- SS-19 Gasket Viton
- SS-20 Gasket/o-ring Viton
- SS-21 Gasket/o-ring Viton
- SS-22 O-ring kit Viton
- SS-23 Capacitor (single ph)
- SS-24 Gsket Viton

Pump Specs	Model SS-100	Model SS-200	Model SS-300	Model SS-500	Model SS-750
Discharge	2" or 3"	2" or 3"	2" or 3"	3" or 4"	3" or 4"
Impeller Type	Semi-vortex	Semi-vortex	Semi-vortex	Semi-vortex	Semi-vortex
Max. Solids	1 1/4"	1 5/8"	1 3/4"	2 1/8"	2 1/8"
Pump Weight	40 lbs.	53 lbs.	77 lbs.	125 lbs.	141 lbs.
Motor rating HP	1	2	3	5	7.5
Voltage (Amps)	1Ø 115 or 230	1Ø 230 (5.5)	3Ø 230 or 460	3Ø 230 or 460	3Ø 230 or 460
Other voltages (Hz) available by request	(14/7) 3Ø 230 or 460 (3/1.5)	3Ø 230 or 460 (6/3)	(9/5.2)	(15/8.6)	(22.5/12.8)
Speed (RPM)	3600	3600	3600	3600	3600
Height* (max)	16.7"	21.75"	21.7"	26.5"	29.25"
Width* (max)	12.8"	15.4"	15.4"	18.5"	18.5"

*Free standing models

Stainless Steel Wastewater Avenger Series Pumps Performance Data



Item # (see prior page)	Part Description	Material Construction
1	Cable	PVC
2/5	Bearings	NTN/C-3
6	Mechanical Seal	SC/SC
7	Seal Housing (cover)	316 SS
8	impeller	316 SS
9	volute	316 SS
10	Handle	304 SS
12	Top Cover	316 SS
14	Motor Housing	316 SS
15	Rotor Shaft	410 SS
16	Oil Chamber Housing	316 SS
17	Oil Seal	Viton

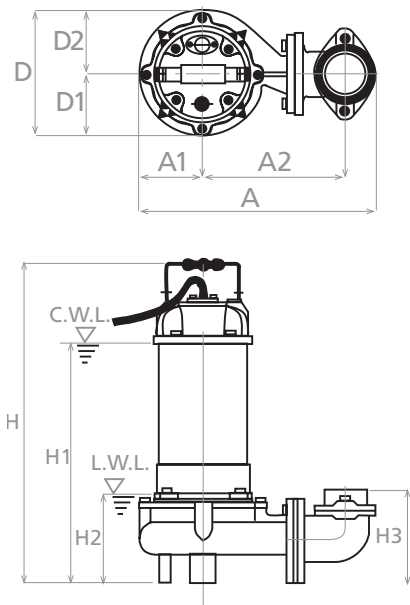
Optional Equipment:

- Seal leakage detection
- Standard and custom controls
- Trimmed impellers for high temperature applications*
- Stainless steel guide rail systems
- Special voltages in 50 or 60 Hz
- Custom cable lengths

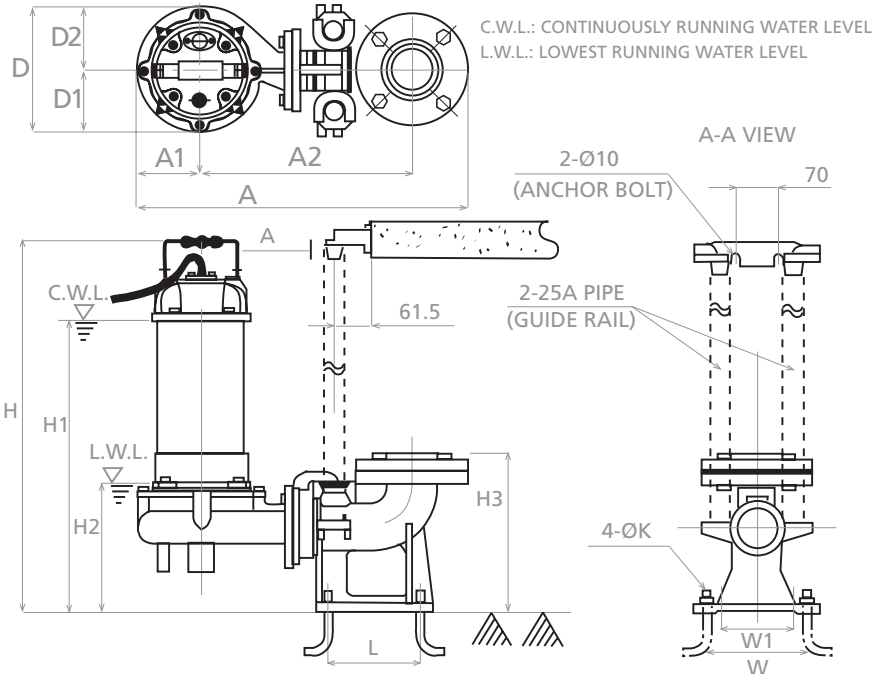
* For 180° maximum intermittent temperature applications

DIMENSION DRAWING

Standard Freestanding Type



Optional Guiderail Type



DIMENSION TABLE[^]																
G/R TYPE	MODEL TYPE	OUTPUT HP	DIMENSION (in)													
			A	A1	A2	D	D1	D2	H	H1	H2	H3	L	W	W1	
N/A	Freestanding	1	12.8	3.5	7.25	5.19	2.48	2.71	16.73	14.49	4.92	6.14	-	-	-	
N/A	Freestanding	2	15.35	4.05	9.25	8.26	4.13	4.13	20.86	15.75	5.9	6.10	-	-	-	
N/A	Freestanding	3	15.35	4.05	9.25	8.26	4.13	4.13	21.65	16.53	5.9	6.10	-	-	-	
N/A	Freestanding	5	20.67	4.92	11.61	9.84	4.6	5.23	25	20.47	7.87	10.82	-	-	-	
N/A	Freestanding	7.5	20.67	4.92	11.61	9.84	4.6	5.23	26.57	22.04	7.87	10.82	-	-	-	
G/R 300	Guiderail	1	18.7	3.15	11.81	6.49	3.03	3.07	19.29	15.35	7.48	10.51	5.75	7.4	4.25	
G/R 300	Guiderail	2	21.65	4.05	13.78	8.26	4.13	4.13	23.62	18.50	8.50	14.17	5.75	7.4	4.25	
G/R 300	Guiderail	3	21.65	4.05	13.78	8.26	4.13	4.13	24.4	19.29	8.50	14.17	5.75	7.4	4.25	
G/R 300	Guiderail	5	23.6	4.92	15.5	9.84	4.6	5.23	28.74	22.5	8.75	10.75	5.75	7.4	4.25	
G/R 300	Guiderail	7.5	23.6	4.92	15.5	9.84	4.6	5.23	30.31	22.5	8.75	10.75	5.75	7.4	4.25	



Stancor, Inc. • 515 Fan Hill Road • Monroe, CT 06468
 203-268-7513 • Fax 203-268-7958 • www.stancorpumps.com